

ROM Fusion

Strapping Machine

MOSCA[®]
EAM MOSCA



- Up to 50 Cycles/Minute
- Mosca Quality in an Economical Unit
- 5mm, 8mm or 12mm PP Strapping

ROM Fusion

Standard Features

The ROM Fusion delivers Mosca innovation and quality in a performance and price package that is appropriate for mid-level strapping needs. The walk-up, operator cycled strapping system is built around Mosca's breakthrough DC brushless direct drive technology and features a combination of convenience, low-cost and reliability. The ROM Fusion features much of the same technology found in higher priced Mosca models.

- Standard 3 Sealer for superior system performance and precise strap tension control at high speeds.
- Up to 50 cycles/minute via front or back footbar.
- Strap tension is infinitely adjustable from 0 to 50 Lbs. tension, the correct range for most bundling, box closing and mail tray strapping operations. The ROM includes Mosca's "soft tension" capability when minimum tension is required.
- 180° degree pivoting control panel allows operator access from front, back and side.
- Rigid formed sheet metal construction with resilient powder coated finish and stainless steel table top.
- Single cabinet and two track sizes with three standard strap widths provide moderate versatility at minimum cost.
- Ergonomic front loading dispenser for fast coil change, operator safety and small footprint.
- Hinged, removable tabletop for fast, convenient access to the sealer area for cleaning or troubleshooting.
- Forms and ejects strap loops if accidentally cycled without a bundle. Avoids jamming.
- Precision single piece strap track for positive strap control and exceptional feed reliability with PP strap.
- Two locking swivel casters and two fixed casters for easy mobility and positioning.

EAM-Mosca is a high performance systems company focused on the sale of superior strapping equipment whose performance is enhanced through the use of EAM-Mosca strapping and support:

- Our strapping is made from top grade materials using processes designed to minimize dimensional variation, dust creation and splitting while optimizing seal strength.
- Professional technical support located throughout North America and Mexico with no-charge phone support available during normal business hours. Factory or on-site training is available for your technical and maintenance staff.

Technical Data

Production Rate: Up to 50 cycles per minute

Strapping: 5mm, 8mm or 12mm Machine Grade PP

Track Size: 31.85" x 23.5" (800mm x 600mm); and 23.5" x 19.5" (600mm x 500mm)

Electrical: 110V - 220V 60 Hz, 0.5 kVA

Table: Stainless steel

Table Height: 31.5" - 35.5" (800mm - 905mm)

Strap Tension: DC Motor controlled, adjustable via potentiometer; soft tension mode.

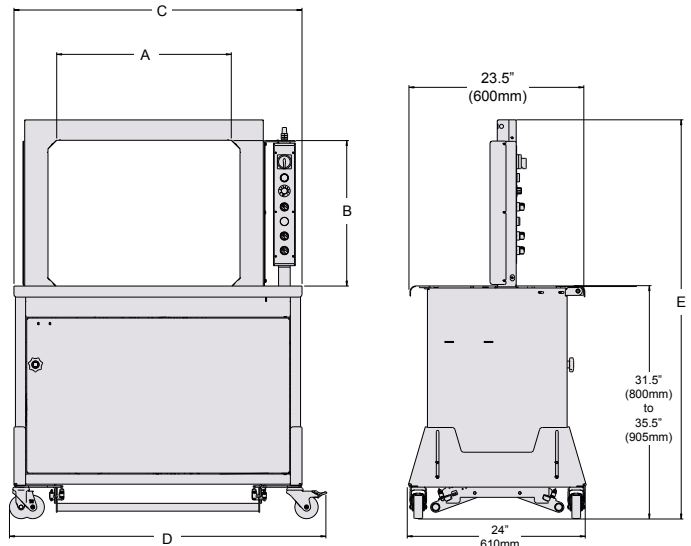
Strap Seal: Heat-seal, electronic temperature controlled

Machine Color: Mosca Blue RAL 5010

Machine Shipping Weight: 360 lbs. on pallet

Casters: Two fixed and two locking swivel casters

Option: Photo eye for automatic cycle start



Model	A		B		C		D		E	
	Inches	mm	Inches	mm	Inches	mm	Inches	mm	Inches	mm
600/500	23.5"	600	19.5"	500	39"	990	43"	1088	54" - 58"	1370 - 1475
800/600	31.85"	800	23.5"	600	47"	1190	43"	1288	58" - 62"	1470 - 1575

